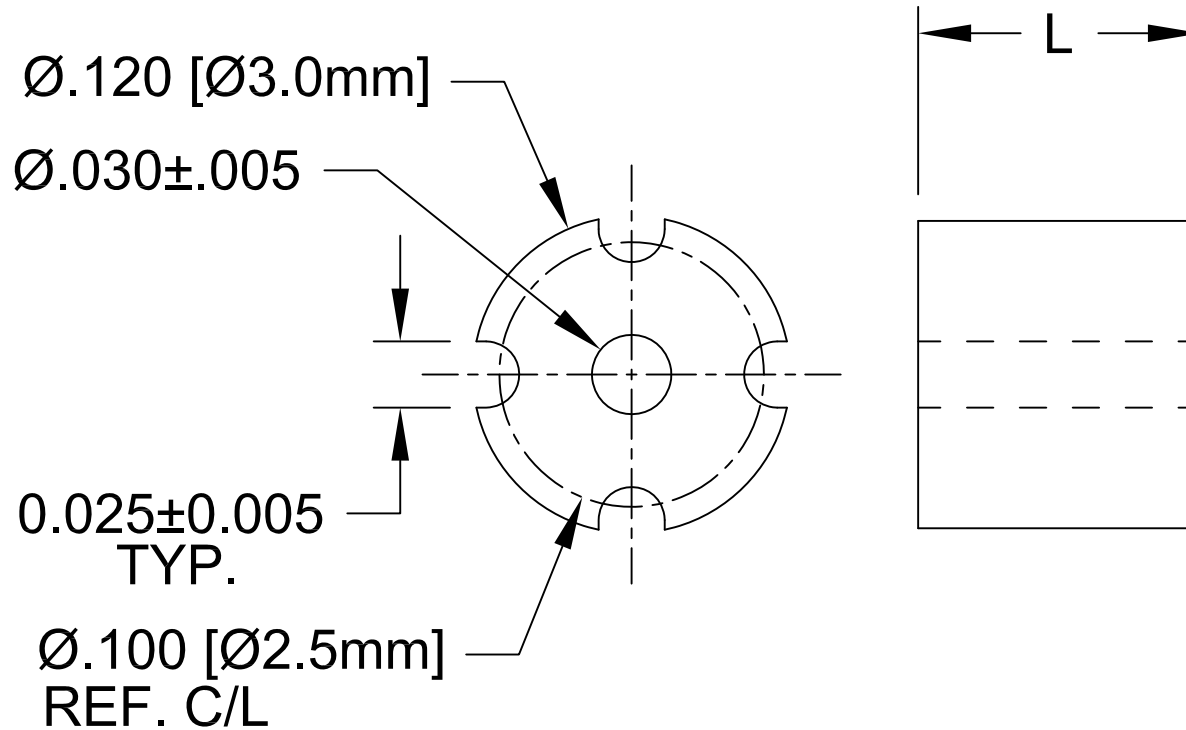


REV.	DESCRIPTION	DATE	APPROVED
E	Engineering Update w/o Changes	02/26/04	M. C.
F	Material Update	10/13/08	T.Y.


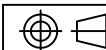


3. TOLERANCE "L" DIMENSION:

- 0.030 - 0.500 (1.0 - 12.7mm)±0.005(0.1mm)
- 0.505 - 0.750 (12.8 - 19.1mm)±0.008(0.2mm)
- 0.755 - 1.250 (19.2 - 31.8mm)±0.015(0.4mm)

2. MATERIAL: PVC ALLOY, 94V-0, BLACK. BIVAR MATERIAL CODE 58-BK.  
CYBERSHIELD PVC ALLOY, CS1534WX-BLK02N BLACK.

1. GENERAL SPECIFICATIONS: BIVAR EXTRUDED PRODUCT SPECIFICATION BV00-E105.

STANDARD TOLERANCE ( UNLESS OTHERWISE SPECIFIED )		 <b>BIVAR</b> <sup>®</sup> 4 THOMAS, IRVINE, CA. 92618 TEL: (949) 951-8808 FAX: (949) 951-3974		
DECIMALS	ANGULAR			
.X ±.1	X° ± 1°		TITLE: EXTRUDED, SELF-RETAINING LED MOUNT	
.XX ±.01			PART NO: <b>ELM 7</b>	REVISION: <b>F</b>
.XXX ±.005			CAGE CODE : 32559	SHEET # 1 OF 1
DESIGNED: <b>Shane Irving</b>	DATE: <b>02/03/98</b>	DESIGNED: <b>M. Chen</b>	DATE: <b>12/17/02</b>	CAD GENERATED DOCUMENT, DO NOT MEASURE DRAWING.